



S M
Solutions



WINDOWS & DOORS BROCHURE 2017

BE CLEVER... BE SAFE...



PVC GERMAN VEKA WINDOWS & DOORS • ALUMINIUM CONSTRUCTIONS • ACCESSORIES



www.smsolutions.ie



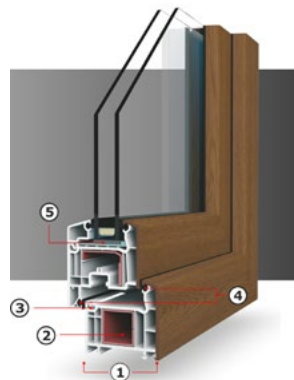
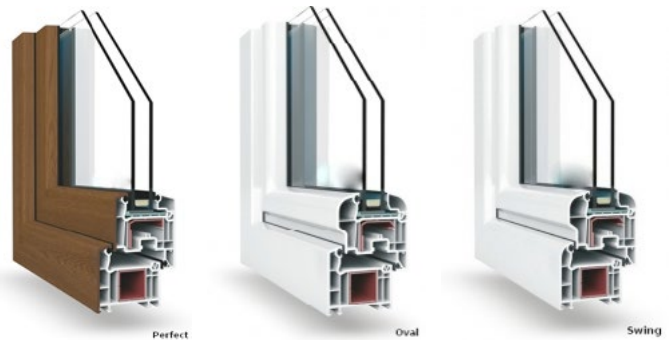
GERMAN PVC TILT & TURN WINDOWS

VEKA PERFECTLINE 70:

A combination of the highest quality materials and unique technological solutions. These are the windows most often selected by our customers, as they ensure the best durability and resistance to weather conditions. Available with double glazed units $U_g=1.1$ or triple glazed units $U_g=0.7$

Three visual versions available:

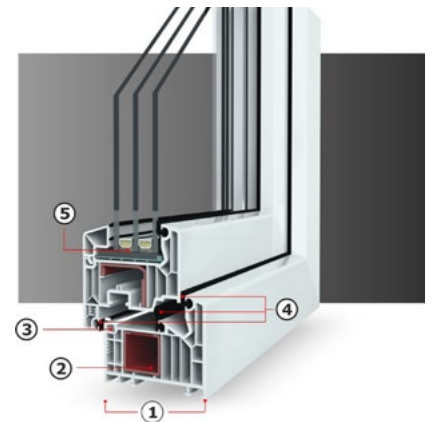
- perfect
- oval
- swing



1. A class profiles, 70 mm thick
2. Solid steel reinforcements
3. Filling the bottom channel allows it to be kept clean
4. Exchangeable seals ensure a better tightness in the corners
5. Depth of the pane mounting -21 mm,

VEKA SOFTLINE 82:

High-quality, energy efficient passive windows with a heat transfer coefficient of up to $0.67W(m^2k)$. These windows maintain unique acoustic properties thanks to which they efficiently protect against external noise. Available with triple glazed units as low as $U_g=0.4$. Our offer also includes fittings, glass elements, and handles which allows them to be adjusted to the customer's needs. They include three seals that are a perfect protection against drafts, moisture, cold and noise. This makes them the best solution for any passive and energy-efficient home and building. The anti burglary fastening included in the sash, the adjustable pressure of the fitting, along with the attractive design of the WinkHaus Pilot Concept are all completely new.



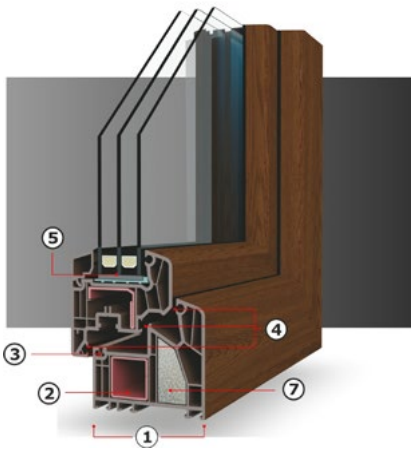
1. Profile thickness 82 mm, total thickness of window 100 mm
2. A solid, 1.5 mm thick steel reinforcement
3. Filling the bottom slot allows it to be kept clean
4. A threefold set of seals made from EPDM
5. Depth of the pane mounting -21 mm

VEKA ALPHA- ENERGO:

The first mass produced 6-chamber profiles with a thermal insert. They meet the highest requirements in terms of thermal insulation and are a perfect solution when building energy efficient houses. They have a great heat transfer coefficient of 0,68W/m²k. Available with triple glazed units as low as Ug=0.4



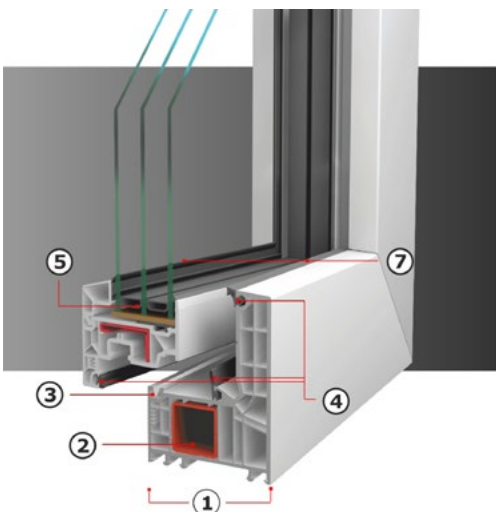
1. Profile thickness 90 mm
2. A solid, 1.5 mm thick steel reinforcement
3. Filling the bottom slot allows it to be kept clean
4. A threefold set of seals made from EPDM
5. Depth of the pane mounting - 24 mm



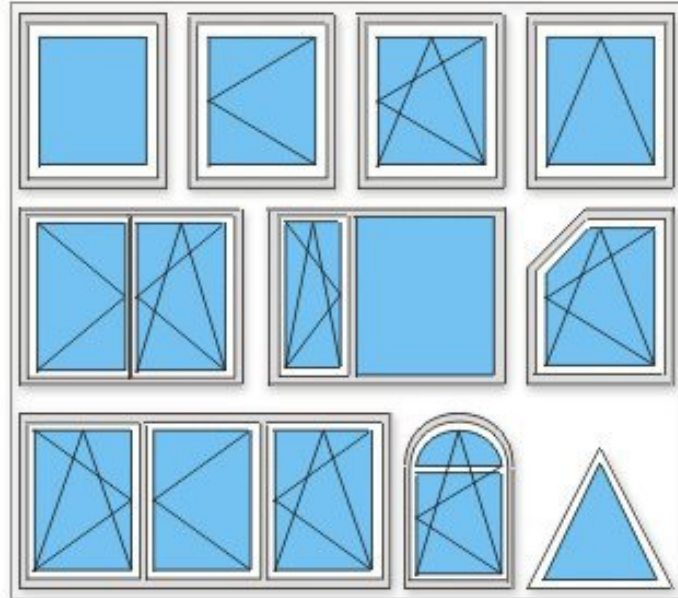
VEKA ARTLINE ENERGO DESIGN:

This model is also perfect for energy efficient houses. It stands out because, of the sash frame being hidden behind the main frame which can be almost completely hidden under the buildings. This way, the highest level of acoustic insulation can be achieved. Available with triple glazed units as low as Ug=0.4

1. Profile thickness 82 mm
2. A solid, 1.5 mm thick steel reinforcement
3. Filling the bottom slot allows it to be kept clean
4. A threefold set of seals made from EPDM
5. Thickness of the sealed glass units from 34 mm to 60 mm



Types of window openings



VEKA PERFECT OPENING OUTWARDS:

The special steel reinforcements used in these windows guarantee many years of infallible work. They include exchangeable seals and the heat transfer coefficient can reach $0,86W/m^2K$. with double glazed units $U_g=1.1$ or triple glazed units $U_g=0.7$.



PVC FRENCH DOORS

Balcony-patio doors are secure and have a timeless design. Balcony patio doors that can be opened inwards, are obtained using the Veka window profiles. For the outward opening option, door profiles are used. A wide selection of colours, choice between double and triple glazing, and many different handles types - both standard and safety, as well as their low price, are all the advantages french doors have to offer



Technical information:



WARM EDGE FRAME

Aluminium has significantly greater heat conductivity than the other window components. The aluminium spacer bar around the edge of the pane is the last route of excessive heat penetration from the room to the exterior. The solution to this problem may be the application of a spacer bar – called warm edge*, made from compound insulation material or fine steel. This helps keep heat between the window glass, avoiding the risk of condensation.

HINGES

1. ActivPilot Concept – comfortable and elegant, designed for single- and multi-sash balcony windows and doors with a fixed and movable mullion. They include adjustable pressure of the fitting, micro-tilt, and a system of octagonal mandrels – the only such system in the world. These fittings include a blockade for incorrect handle position and an anti-burglary fastener.

2. ActivPilot Select – aimed at people who value beauty and original solutions. The fittings cannot be seen and the hinges are hidden. The maximum load for the fitting is 100 kg. They include an anti-burglary fastening in the tilt-turn sash, the possibility to adjust the clamp, and a micro-tilt.

3. ActivPilot Comfort – this solution allows movement of the window frame to create a 6 mm slit. This ensures better ventilation while 4 fastenings still guarantee full anti-burglary protection.

4. Anti-burglary – includes fastenings and bolts making it more difficult to pry the window open. It is advised to install additional key-locked handles

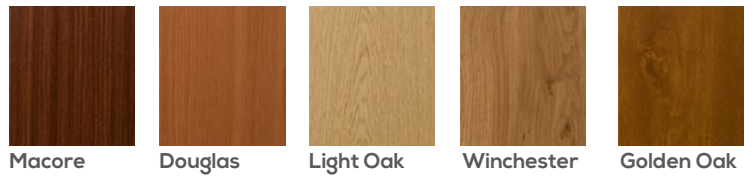


GLAZING

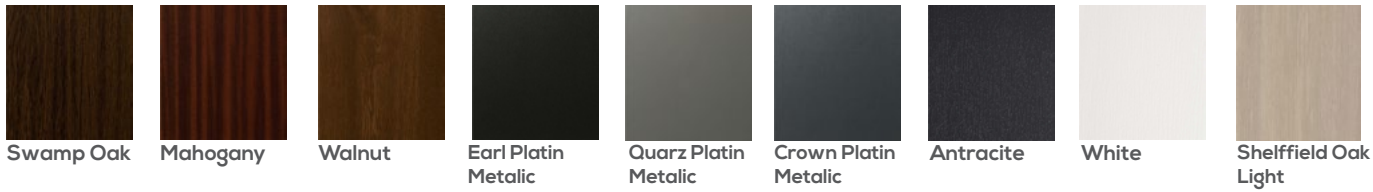
- heat-protective: $U_g=0,4$ to $U_g=1,1$
- ornament and frosted: reduce visibility, for example into bathrooms
- secure: depending on the type, they are compliant with various classes of burglary protection
- muntin bars glass: add visual character
- sun protection panes:
 - absorptive - slightly toned
 - reflective - reflect light
 - selective - include a special layer which prevents overheating in the room
- sound-absorbing panes: protect against noise
- bioclean: reduce the frequency of window cleaning



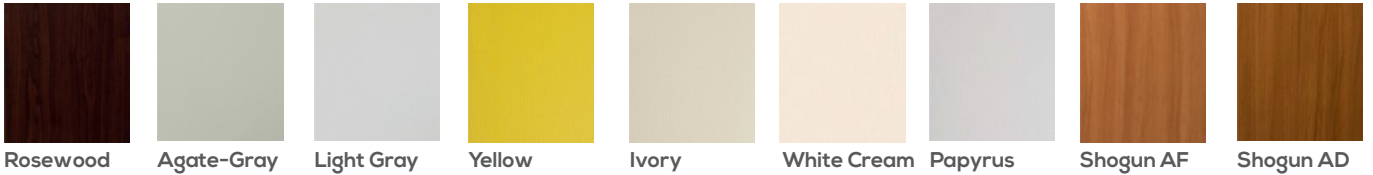
COLOURS



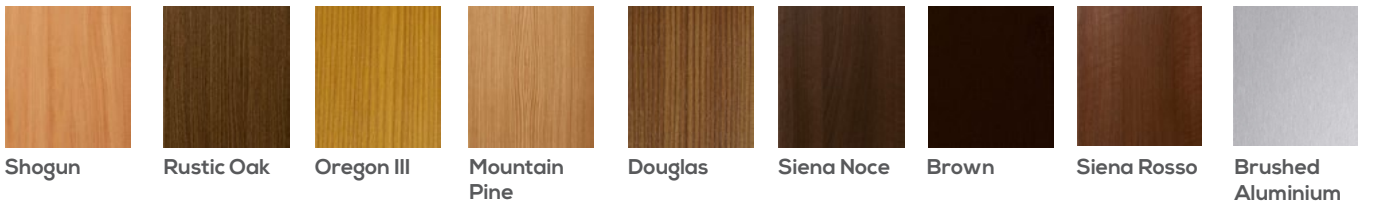
Macore Douglas shaded Light Oak Winchester Golden Oak



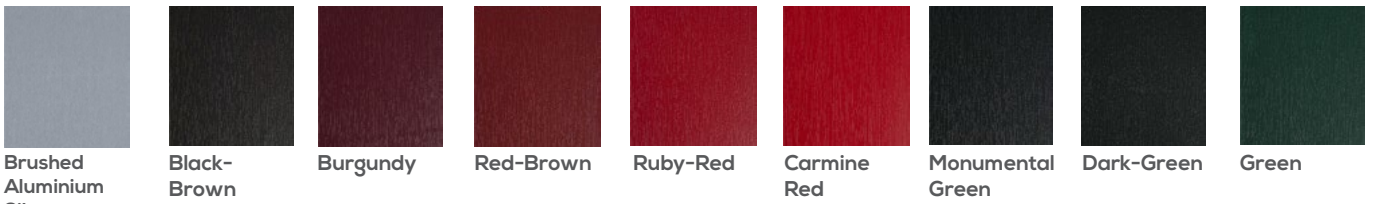
Swamp Oak Mahogany Walnut Earl Platin Metallic Quarz Platin Metallic Crown Platin Metallic Antracite White Shelffield Oak Light



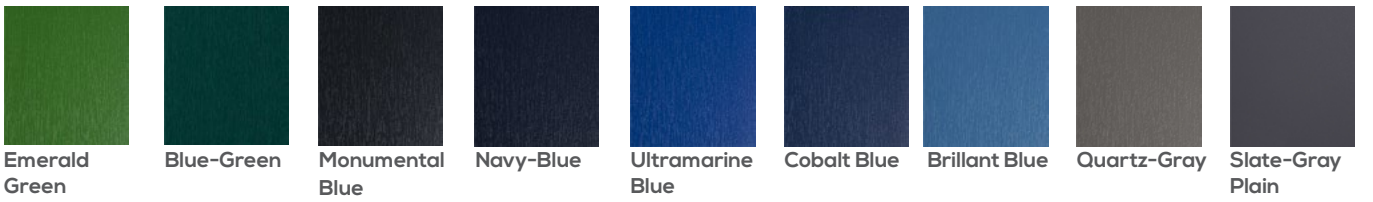
Rosewood Agate-Gray Light Gray Yellow Ivory White Cream Papyrus Shogun AF Shogun AD



Shogun Rustic Oak Oregon III Mountain Pine Douglas Siena Noce Brown Siena Rosso Brushed Aluminium



Brushed Aluminium Silver Black-Brown Burgundy Red-Brown Ruby-Red Carmine Red Monumental Green Dark-Green Green



Emerald Green Blue-Green Monumental Blue Navy-Blue Ultramarine Blue Cobalt Blue Brillant Blue Quartz-Gray Slate-Gray Plain



Slate-Gray Anthracite Silk Basalt-Gray Plain Basalt-Gray Silver-Gray Plain Silver-Gray

HANDLES



Standard



Luxembourg



New York



English (for window opened outwards)



Safe Luxembourg



Safe New York

SLIDING DOORS

STANDARD TILT-SLIDE:



- max width 300 cm, max height 270 cm
- sash weight up to 200 kg
- high thermal insulation
- brushes for cleaning the bars
- special cart covers



HANDLES

Handles made from aluminium in: white, brown, old gold, silver

AUTOMATIC TILT-SLIDE



- control included in the handle
- support mechanism making it easier to handle large doors
- max width 300 cm max height 270 cm
- sash weight up to 200 kg
- high thermal insulation
- brushes for cleaning the bars
- special cart covers



HANDLES

Handles made from aluminium in: white, brown, old gold, silver.

PAS HOISTING-SLIDING



- the possibility for slot ventilation with anti-burglary protection
- max width 300 cm max height 230 cm
- support in handling the door
- max weight up to 160 kg
- high thermal insulation
- brushes for cleaning the bars
- special cart covers



HANDLES

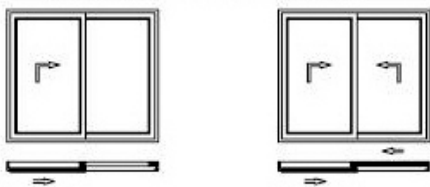
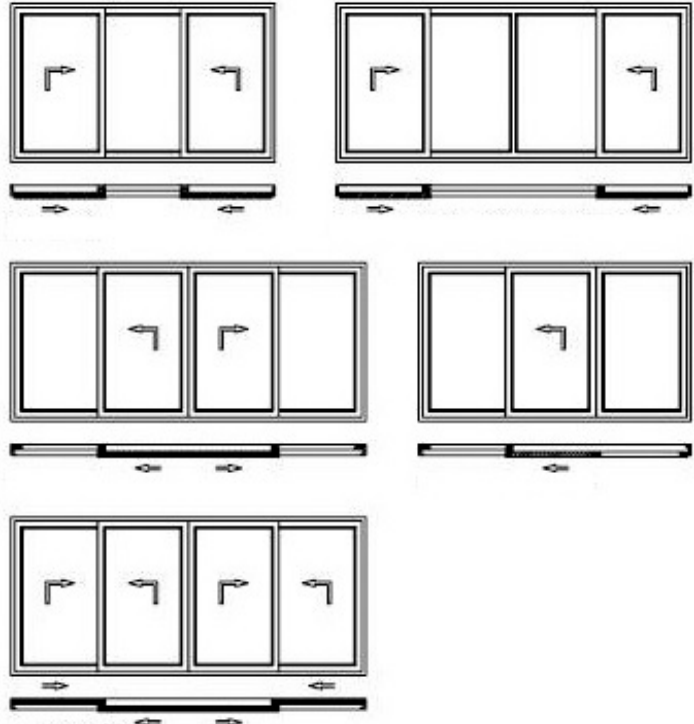
Handles made from aluminium in: white, brown, old gold, silver. The possibility to equip the doors with two handles - on the inside and outside (a two-sided lockable insert)





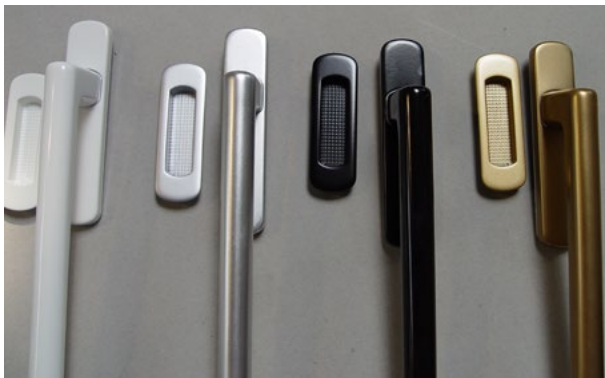
VEKASLIDE LIFT&SLIDE

- up to 4 sliding or fixed sashes
- max width 650 cm, height 270 cm
- low threshold
- brake function included in the handle
- hidden seals ensure the perfect tightness and esthetics
- heat transfer coefficient up to 0,66W/m²K



Up to 600 cm

up to 650 cm

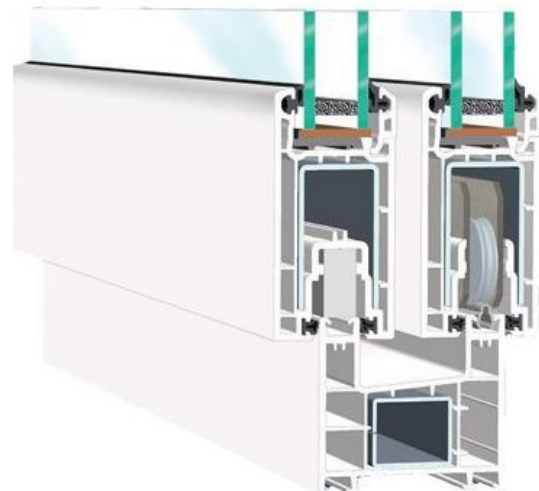


HANDLES

Handles made from aluminium in: white, brown, old gold, silver. The possibility to equip the doors with two handles - on the inside and outside (a two-sided lockable insert)

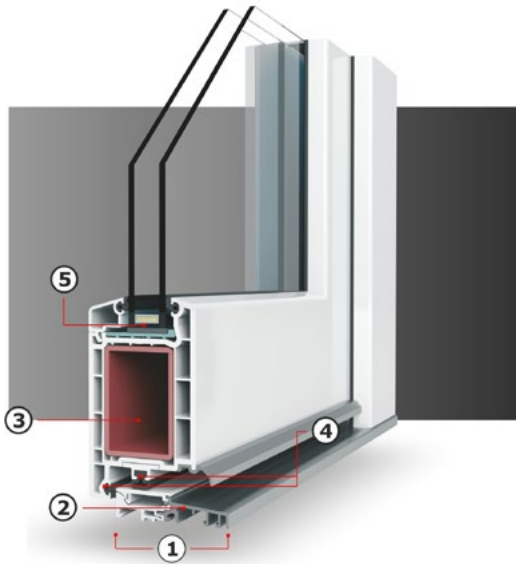
ECOSOL

- the lighter structure
- durable and easy to use
- 3 chamber frame
- max width 350cm, max height 240 cm
- the possibility to equip the doors with two handles
- ideally for porch, sun room etc



PVC EXTERNAL DOORS

Made with Veka profiles, resistant to changing weather conditions. As standard, they include an aluminium drip cap which protects against water penetrating inside. These doors may be combined with all types of windows in the Veka system. Available in many versions.



1. Profile thickness 70 mm
2. Perfect tightness
3. Special reinforcements for the sash and frame
4. A double set of seals
5. Depth of the filling mounting – 21 mm



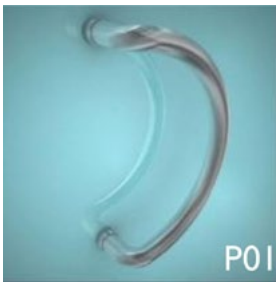
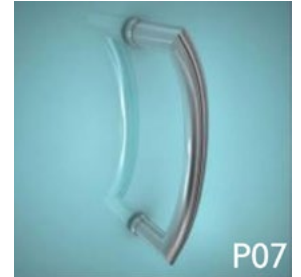
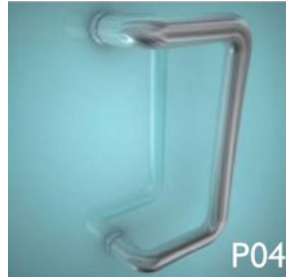
HANDLES

Standard handles made from aluminium. Available in: white, brown, titanium, silver, old gold, and stainless steel.



BAR HANDLE

Made from stainless steel. They increase security while adding a modern design.



FITTING

Infallible and secure STV locks ensure safety. Steel bolts fit tightly into the door frame, ensuring the door cannot be pried open. The doors allow adjustment of the force of the sash pressing against the frame.



GLAZING

- ornament and frosted: reduce transparency, any design may also be sandblasted
- secure: depending on the type, they are compliant with various classes of burglary protection
- muntin bars glass: add visual character
- sun protection panes:
 - absorptive - slightly toned
 - reflective - reflect light
 - selective - include a special layer which prevents overheating of the room

ALUMINIUM CONSTRUCTIONS



ECONOLINE



Mainly used inside buildings where thermal insulation is not required. They are perfect for offices and apartments. There is the possibility to create sliding doors and to connect walls at any desirable angle.

TRILINE



Include a basic system with a thermal break, enriched with fiberglass. The profile is 51 mm thick. The main applications are various windows, store fronts, and doors.

IMPERIAL



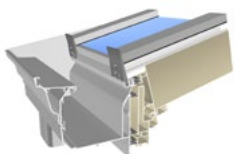
Perfectly tight windows and durable profiles enriched with fiberglass. The profiles are 65 mm thick. For any types of windows, doors, and store fronts.

STAR



Windows with improved thermal insulation. A heat transfer coefficient from 0,6W/m²K. They include an innovative water discharge system. Used mainly for various types of windows and store fronts.

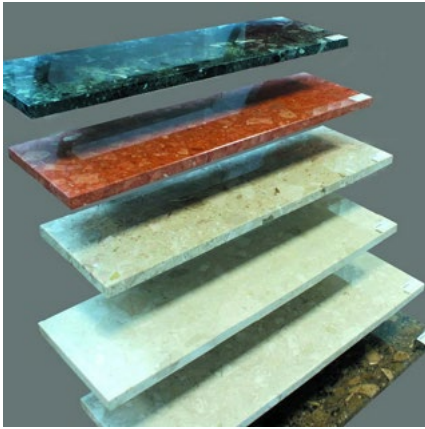
SUNROOM



Winter gardens are very popular they increase the home's area and at the same time provide an additional place to relax. Thanks to the construction of the thermal break, these designs ensure perfect insulation.

ACCESSORIES

1. WINDOW SILLS



CONGLOMERATE

Industrial product with excellent physical and chemical properties which is created by a combination of natural stone 95% and 5% polyester resin serving as the connector.



PVC

Made of materials that are known to be scratch resistant and humidity water resistant. With the construction of the chamber window sills are characterized by high rigidity.



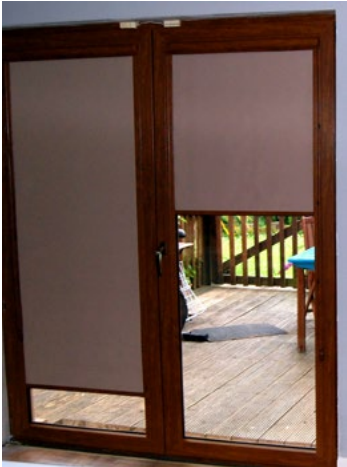
EXTERNAL

Made of either galvanized steel sheets or from aluminium. In the next stage, window sills are coated using world-class polyester varnishes of types: coroglex and antislip which perfectly cover against corrosion for many years

2. WINDOW BLINDS



Day & night



Prestige



Aluminium



Pleated



Wooden



Vertical



3. INSULATED SECURITY ROLLER SHUTTERS

House owners are constantly looking for ways of improving the security of their property. They want to protect their premises from vandalism and burglary. Our Aluminium Domestic Security Roller Shutters protect both windows and doors. These Residential Roller Shutters give home owners peace of mind, whether their property is occupied or vacant. Nowadays in Ireland it is very expensive to heat houses. Everybody is looking to decrease heating expenses i.e. by wall and attic insulation. It is important to stress that the biggest amount of energy loss is through windows and doors. Our company is offering innovative technology which can increase thermal insulation and storm protection. Moreover, some of customers are looking for privacy and reduced noise level inside. Insulated Roller Shutters improve acoustic insulation and gives privacy. The appearance of your home is enhanced with our Household Security Shutters, and they might even increase the property value.



BUILT IN



COMMERCIAL



DOMESTIC

SLAT SIZES



PA-39
height: 39mm
thickness: 8,9mm



PA-45
height: 45mm
thickness: 9mm



PA-52
height: 52mm
thickness: 13mm



PCV-37
height: 37 mm
thickness : 8mm



PCV-52
height: 52mm
thickness: 14mm



01 SILVER



02 WHITE



03 GREY



04 DARK BEIGE



05 BEIGE



07 LIGHT GREY



08 DARK BROWN



09 BROWN



13 GREEN



15 CREAM WHITE



16 IVORY



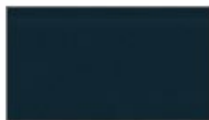
20 BLACK



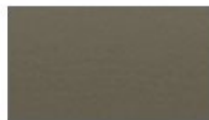
22 MAHOGANY



19 MAROON



23 ANTHRACITE



26 OLIVE



27 BASALTIC GREY



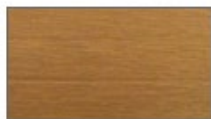
30 WALNUT



34 SWAMP OAK



48 GOLDEN OAK



54 WINCHESTER



WE OFFER SERVICES IN ROI & NI

SHOWROOM

Woodbine Business Park,
New Ross Co. Wexford

smsolutions.ie



HOME & BUSINESS IMPROVEMENTS

www.smsolutions.ie

086 2254343



office@smsolutions.ie

